



myTEM Radio Switch Dual Plus  
MTSWI-101-WL

The myTEM Radio Switch Dual Plus is a universal, Z-Wave compatible wall or ceiling switch (ON/OFF) and is used to control two electrical devices. Two additional digital inputs and the programmable behavior to the wireless commands allow flexible use in the house. Optionally, a myTEM Touch Add-on control panel can be attached to the connector.

The device is intended for installation in a flush-mounted box.

Further information can be found on our website:  
<https://www.mytem-smarthome.com/web/en/download>



**ATTENTION:**

This device is not a toy. Please keep it away from children and animals!

Please read the manual before attempting to install the device!

These instructions are part of the product and must remain with the end user.

**Warning and safety instructions**

**WARNING!**

This word indicates a hazard with a risk that, if not avoided, can result in death or serious injury. Work on the device must only be carried out by persons with the necessary training or instruction.

**CAUTION!**

This word warns of possible damage to property.

**SAFETY INSTRUCTIONS**

- Operate this device only as described in the manual.
- Do not operate this device if it has obvious damage.
- This device shall not be altered, modified or opened.
- This device is intended for use in buildings in a dry, dust-free location.
- This device is intended for installation in a flush-mounted box. After installation, it must not be openly accessible.

**DISCLAIMER**

All rights reserved. This is a translation from the original version in German.

This manual may not be reproduced in any format, either in whole or in part, nor may it be duplicated or edited by electronic, mechanical or chemical means, without the written consent of the publisher.

The manufacturer, TEM AG, is not liable for any loss or damage caused by failure to follow the instructions in the manual.

Typographical and printing errors cannot be excluded. However, the information contained in this manual is reviewed on a regular basis and any necessary corrections will be implemented in the next edition. We accept no liability for technical or typographical errors or the consequences thereof. Changes may be made without prior notice as a result of technical advances. TEM AG reserves the right to make changes to product design, layout and driver revisions without notice to its users. This version of the manual supersedes all previous versions.

**Trademarks**

myTEM and TEM are registered trademarks. All other product names mentioned herein may be trademarks or registered trademarks of their respective companies.

**What is Z-Wave?**

Z-Wave is the international wireless protocol for communication in the smart home. Z-Wave ensures a reliable communication by reconfirming every message (**two-way communication**) and every mains powered node can act as a repeater for other nodes (**meshed network**) in case the receiver is not in direct wireless range of the transmitter.

Z-Wave products from different manufacturers can be used together in a wireless network. Thus, this product with any Z-Wave product from other manufacturers can be used in a common Z-Wave wireless network.

The myTEM Radio Switch Dual Plus is a Z-Wave device with **secure communication (S2)** and uses the radio frequency of 868.4 MHz. If other devices also support the same secure communication, the data is exchanged in this secure mode. Otherwise it will switch automatically to a lower level of security to maintain backward compatibility.

For more information about frequency regulations please refer to the homepage of [Silicon Labs](http://Silicon Labs). For more information about Z-Wave technology, devices, tutorials, etc. please refer to [www.z-wave.info](http://www.z-wave.info).



**Product description**

The myTEM Radio Switch Dual Plus is a universal, Z-Wave compatible wall or ceiling switch (ON/OFF) and is used to control two electrical devices (e.g. roller shutters, window blinds, lamps, fans, etc.). Optionally, a myTEM Touch Add-on control panel with five buttons can be attached to the connector. It can be used to control the outputs or independent functions.

Two additional digital inputs and the programmable behavior to the wireless commands allow flexible use in the house. At the same time, the device also serves as a Z-Wave repeater to improve range and stability of the Z-Wave network.

The device is intended for installation in a flush-mounted box, e.g. behind light switches or sockets.

**Preparation for the installation**

In order to include ("Add") a Z-Wave device to a network it **must be in factory default state**. Please make sure to reset the device into factory default. After power-up the status is displayed as below:

Status "Add" (included in a Z-Wave network):

The LED lights **green** for 1-2 seconds

Status "Remove" (not included):

The LED flashes **red** for 5-10 seconds

**WARNING!** Depending on national safety standards, only authorized and/or trained technicians may be allowed to make electrical installations on the power supply. Please inform yourself about the legal situation before installation.

**Reset to factory default**

If the myTEM Radio Switch Dual Plus shows status "Add", the "Remove" can be performed with any controller in the network or with the help of a new controller. However it is recommended to use the primary controller of the previous network unless it is no longer available or damaged.

**"Remove" deletes the memory chip, including all Z-Wave network settings.**

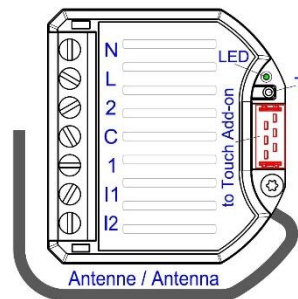
**When 110 – 230 VAC is used**, press a button connected to input I1 or I2 four times in quick succession to start "Remove". If a switch is used instead of the button, it must be changed accordingly eight times.

Alternatively, **when 24 VDC is used**, you can press the small lever (T) four times in quick succession with a pen to start "Remove".

The LED flashes **red** and then the new status is:

Add: The LED lights up **briefly in green**

Remove: The LED lights up **briefly in red**



**Installation**

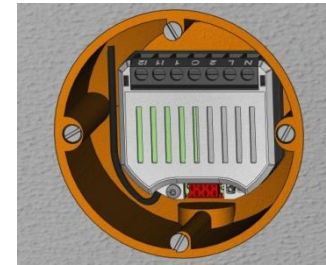
**WARNING!** To avoid electrical shock and/or equipment damage, disconnect power to the main fuse or circuit breaker before installation or maintenance. Prevent the fuse from being accidentally switched on again and check that the system is de-energized.

**WARNING!** The device shall be connected according to the wiring diagram only. Switches in the installation must comply with relevant safety standards.

**WARNING!** The electrical installation must be protected with a fuse of max. 10 A.

**WARNING!** The myTEM Radio Switch Dual Plus should be installed in a flush-mounted box (wall, ceiling) in compliance with relevant national safety standards and with a depth of not less than 60 mm. The length of the cables between the device and a switch or the load should not exceed 10 m.

**CAUTION!** Maximum loads shall not exceed **6 A, 250 VAC, (cos φ) = 1.0**.



1. For your safety, switch off the mains voltage (break fuse) during installation. Make sure that wires are not short-circuited during and after installation, as this may damage the device.

2. Connect the cables according to one of the wiring diagrams below. Rigid wires or strands, stripped by about 6.5 mm, can be used for the installation.

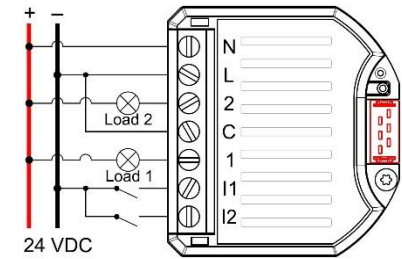
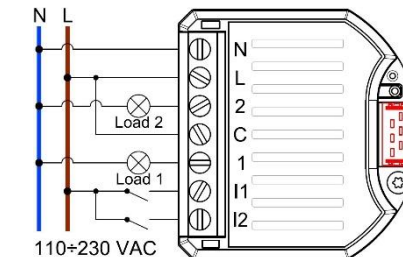
**Option:** Connect the device with the ribbon cable to the myTEM Touch Add-on control.

3. Check the wiring and then push the device into the flush-mounted box.

4. For **maximum reach** place the antenna upright and as far away from metal parts and the wiring as possible. **Attention: Do not shorten the antenna!**

5. Switch on the mains voltage and include ("Add") the device into a Z-Wave network as described below.

6. Switch off the mains voltage and fit a cover over the flush-mounted box. When you switch the mains voltage back on again is your device ready.



**Inclusion/Exclusion ("Add/Remove") of the device**

On factory default the device does not belong to any Z-Wave network. In order to communicate with other Z-Wave devices, it must be included into an existing network or a new network has to be established. In Z-Wave this process is called "Add".

Devices can also be removed from networks. In Z-Wave this process is called "Remove". Both processes are initiated by the primary controller of the Z-Wave network. This controller is put into the "Add", respectively the "Remove" mode. The manual of the controller will contain the information on how to switch it into these modes. Only when the primary controller of the Z-Wave network is in the "Add" mode can devices be added. Removing a device from the network will reset it to the delivery state.

**Automatic inclusion ("Add")**

The device supports the so-called auto-inclusion. To use this function the device must be in factory default.

1. Activate the "Add" mode on your controller.
2. Turn on the power and the unit starts in its own Add mode for 30 seconds. If the connection is successful, the device registers on the controller.

When the device is in the "Add" mode, the LED flashes **green**. When finished, the new status is:

Add: The LED lights up **briefly in green**

Remove: The LED lights up **briefly in red**

**Manual inclusion/exclusion ("Add/Remove")**

1. Activate the "Add" or "Remove" mode on your controller.
2. **When 110 – 230 VAC is used**, press a button connected to input I1 or I2 four times in quick succession to start include/exclude ("Add/Remove"). If a switch is used instead of the button, it must be changed accordingly eight times.
3. Alternatively, **when 24 VDC is used**, you can press the small lever (T) four times in quick succession with a pen to start "Add/Remove".

When the device is in the "Add" mode, the LED flashes **green**. When finished, the new status is:

Add: The LED lights up **briefly in green**

Remove: The LED lights up **briefly in red**

### Quick trouble shooting

The following hints may help solving trouble during network installation.

1. Make sure that new devices are in factory reset state. The status is displayed at power up.
2. If a connection cannot be established, check that the controller and the device are working on the same radio frequency.
3. Remove devices that are no longer available in the Z-Wave network from all association groups. Otherwise significant delays in the execution of commands are possible.
4. Make sure you have enough mains powered devices to benefit from the meshing network.
5. If the radio signal is insufficient, try reorienting or relocating the antenna.

### Z-Wave Association - Devices control each other

The Association Command Class is used to manage associations to NodeID destinations. An association group sends commands to the configured destinations when triggered by an event.

#### Association group of the myTEM Radio Switch Dual Plus:

##### Root Device:

Group ID	Profile / Name	Max. no of units	Command Class	Type / Event	Description
1	General: Lifeline / Lifeline	5	Notification Report	T: System (0x09) E: Heartbeat (0x05)	Reports to be alive (interval according to configuration)
				T: Power Management (0x08) E: Power has been applied (0x01)	Reports the device had a start-up (sent after each power-up only)
	Central Scene Notification				When a key is pressed (1-3 times), hold or released, a Central Scene Notification is sent
2	Control: Key6 / Sensor State 1	5	Binary Sensor Report		State of digital input 1; mapped to endpoint 3, group 2
3	Control: Key7 / Sensor State 2	5	Binary Sensor Report		State of digital input 2; mapped to endpoint 4, group 2

The reports "Heartbeat" and "Power Management" can be activated / deactivated separately via the command class **Notification**.

#### Endpoint 1 & 2: Power Switch

Each endpoint reflects a digital output (relay).

Group ID	Profile / Name	Max. no of units	Command Class	Description
1	General: Lifeline / Lifeline	5	Binary Switch Report	State of output <N>

#### Endpoint 3 & 4: Sensor - Notification (digital inputs)

Each endpoint reflects a digital input.

Group ID	Profile / Name	Max. no of units	Command Class	Type / State	Description
1	General: Lifeline / Lifeline	5	Notification Report	T: Home monitoring S: Idle / Occupied	Report "State idle" (input open), "Home occupied" (input closed)
2	Control:Key6 / Sensor State 1 Control:Key7 / Sensor State 2	5	Binary Sensor Report		State of digital input 1 (endpoint 3) State of digital input 2 (endpoint 4)

#### Endpoints 5 – 9: Wall controller (n = 1 ... 5) (only if optional myTEM Touch Add-on / Touch Add-on Glossy is used)

Group ID	Profile / Name	Max. no of units	Command Class	Description
1	General: Lifeline / Lifeline	5	Central Scene Notification	When a key is pressed (1-3 times), hold or released, a Central Scene Notification is sent
			Multilevel Sensor Report	Reports temperature and humidity (only endpoint 5)
2	Control: Key<n> / B<n> On/Off	5	Basic Set	When a key is pressed, the Basic Set is sent; the value is toggled between 0x00 (Off) and 0xFF (On)
3	Control: Key<n> / B<n> Event	5	Switch Multilevel Start Level Change Switch Multilevel Stop Level Change	When a key is hold, a Multilevel Start is sent. When a key is released a Multilevel Stop is sent.

### Z-Wave configuration parameters

Z-Wave products can be used out of the box after inclusion ("Add") into the network. With the configuration, however, the behavior can be better adapted to the application.

**CAUTION! Depending on the function the server may change some default settings.**


Par#	Description	Unit	Min	Max	Default	Precision	R/W	Size
1	Heartbeat rate	min	1	1440	60	0	r/w	2 bytes
2	Send interval temperature	min	1	120	30	0	r/w	2 bytes
3	Minimum delta temperature send <sup>x)</sup>	K	0.1	10.0	0.5	1	r/w	2 bytes

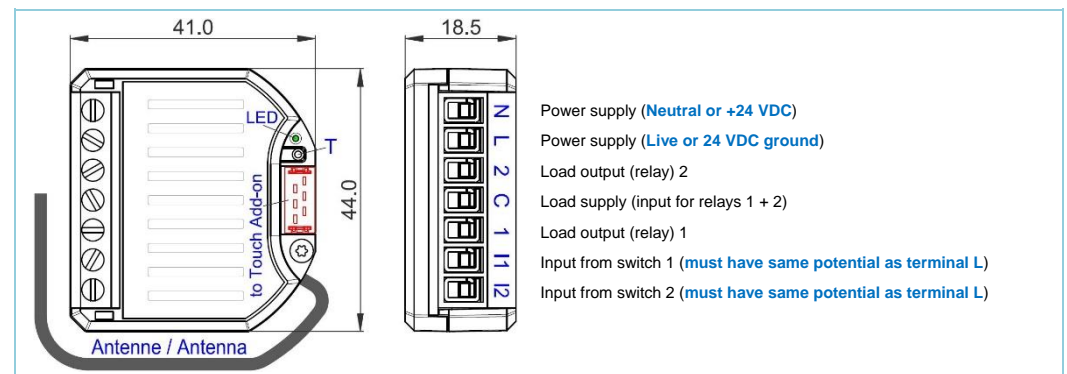
Par#	Description	Unit	Min	Max	Default	Precision	R/W	Size
4	Send interval humidity	min	1	120	30	0	r/w	2 bytes
5	Minimum delta humidity send <sup>x)</sup>	%	1.0	100.0	1.0	1	r/w	2 bytes
6	Individual relay control <sup>y)</sup>	-	0	1	1	0	r/w	2 bytes
7	Digital input type (0 = binary / Binary Sensor Report; 1 = key / Central Scene Report)	-	0	1	0	0	r/w	2 bytes

<sup>x)</sup> Delta value in relation to the last sent value

<sup>y)</sup> Parameter 6 defines whether the relays are mutually interlocked (value 0) (e.g. for motors up/down) or used individually (value 1).

### Technical specifications

Dimensions (W x H x D)	44 x 41 x 18.5 mm		
Installation / mounting	In flush-mounted box (wall, ceiling) ≥ Ø 60 mm, depth ≥ 60 mm		
Operating voltage	110 - 230 VAC ± 10%, 50/60Hz or 24 VDC		
Power consumption in standby	Continuous operation for wireless network, therefore no standby operation		
Power consumption in operation	0.9 W (including a myTEM Touch Add-on, without consumption of external devices)		
Switchable load	2x 6 A, 250 VAC or 30 VDC, cos(φ) = 1.0		
Ambient temperature for operation	0 °C – 40 °C		
Ambient temperature for storage	-20 °C – 60 °C		
Ambient humidity	5 %RH – 85 %RH (non condensing)		
Wire cross-section terminals	0.34 mm <sup>2</sup> – 6.0 mm <sup>2</sup> solid;	0.34 mm <sup>2</sup> – 4.0 mm <sup>2</sup> flexible;	2 x 1.5 mm <sup>2</sup> two wires
Stripping length for terminals	6.5 mm ± 0.5 mm		
Tightening torque for terminals	0.5 Nm		
Degree of protection provided by enclosure	IP 20 (after installation)	(according to EN 60529)	
Protection class	II	(according to EN 60730-1)	
Overvoltage category	II	(according to EN 60730-1, resp. EN 60664-1)	
Pollution degree	2	(according to EN 60730-1)	
Safety main unit	EN 60730-1:2016 + A1:2019		
EMC main unit	EN 60730-1:2016 + A1:2019 EN IEC 61000-6-3:2019		
Safety radio part	EN 62368-1:2014 / AC:2017	EN 61000-6-3:2007 + A1:2011 / AC:2012	
EMC radio part	EN 301 489-1 V2.1.1	EN 301 489-3 V2.1.1	
Radio spectrum	EN 300 220-2 V3.2.1		
RoHS	EN IEC 63000:2018		
CE conformity	 2014/35/EU (LVD) 2014/30/EU (EMC)		2014/53/EU (RED) 2011/65/EU (RoHS)
Z-Wave hardware platform	ZM5101		
Device Type	On/Off Power Switch		
Role Type	Always On Slave (AOS)		



### Explanation of some Z-Wave specific terms

**Controller...** is a Z-Wave device with the capability to manage a network. They are typically gateways, remote controls or wall controllers.

**Primary controller...** is the central administrator of the Z-Wave network. In a Z-Wave network, only one primary controller is allowed.

**Slave...** is a Z-Wave device without the ability to manage a network. Slaves can be sensors, actuators and even remote controls.

**Add (Inclusion)...** is the process of adding new Z-Wave devices into a network.

**Remove (Exclusion)...** is the process of removing Z-Wave devices from the network.

**WakeUp Notification...** is a special wireless message issued by battery powered Z-Wave devices to announce that they are awake and able to communicate.

**Node Information Frame (NIF)...** is a special wireless message issued by a Z-Wave device to announce its capabilities and functions.

### Supported Command Classes

#### Root Device:

Command Class (CC)	Not added	Non-secure added	Securely added, non-secure CC	Securely added, secure CC
Application Status CC	Support	Support	Support	
Association CC	Support	Support		Support
Association Group Information CC	Support	Support		Support
Binary Switch CC	Support	Support		Support
Configuration CC	Support	Support		Support
Firmware Update Meta Data CC	Support	Support		Support
Manufacturer Specific CC	Support	Support		Support
Multi Channel Association CC	Support	Support		Support
Multi Channel CC	Support	Support		Support
Notification CC	Support	Support		Support
Powerlevel CC	Support	Support		Support
Security_2 CC	Support	Support	Support	
Supervision CC	Support	Support	Support	
Transport Service CC	Support	Support	Support	
Version CC	Support	Support		Support
Z-Wave Plus Info CC	Support	Support	Support	

#### Endpoint 1 & 2: Power Switch

Command Class (CC)	—	Non-secure added	Securely added, non-secure CC	Securely added, secure CC
Association CC		Support		Support
Association Group Information CC		Support		Support
Binary Switch CC		Support		Support
Multi Channel Association CC		Support		Support
Security_2 CC			Support	
Supervision CC		Support	Support	
Z-Wave Plus Info CC		Support	Support	

#### Endpoint 3 & 4: Sensor - Notification (digital inputs)

Command Class (CC)	—	Non-secure added	Securely added, non-secure CC	Securely added, secure CC
Association CC		Support		Support
Association Group Information CC		Support		Support
Binary Sensor CC		Support		Support
Central Scene CC		Support		Support
Multi Channel Association CC		Support		Support
Notification Sensor CC		Support		Support
Security_2 CC			Support	
Supervision CC		Support	Support	
Z-Wave Plus Info CC		Support	Support	

### Dynamic endpoint 5: Wall controller (only if optional myTEM Touch Add-on / Touch Add-on Glossy is used)

Command Class (CC)	—	Non-secure added	Securely added, non-secure CC	Securely added, secure CC
Association CC		Support		Support
Association Group Information CC		Support		Support
Binary Switch CC		Support		Support
Central Scene CC		Support		Support
Color Switch CC		Support		Support
Multi Channel Association CC		Support		Support
Multilevel Sensor CC		Support		Support
Multilevel Switch CC		Controlled		Controlled
Security_2 CC			Support	
Supervision CC		Support	Support	
Z-Wave Plus Info CC		Support	Support	

### Dynamic endpoints 6 – 9: Wall controller (only if optional myTEM Touch Add-on / Touch Add-on Glossy is used)

Command Class (CC)	—	Non-secure added	Securely added, non-secure CC	Securely added, secure CC
Association CC		Support		Support
Association Group Information CC		Support		Support
Binary Switch CC		Controlled		Controlled
Central Scene CC		Support		Support
Multi Channel Association CC		Support		Support
Multilevel Switch CC		Controlled		Controlled
Security_2 CC			Support	
Supervision CC		Support	Support	
Z-Wave Plus Info CC		Support	Support	